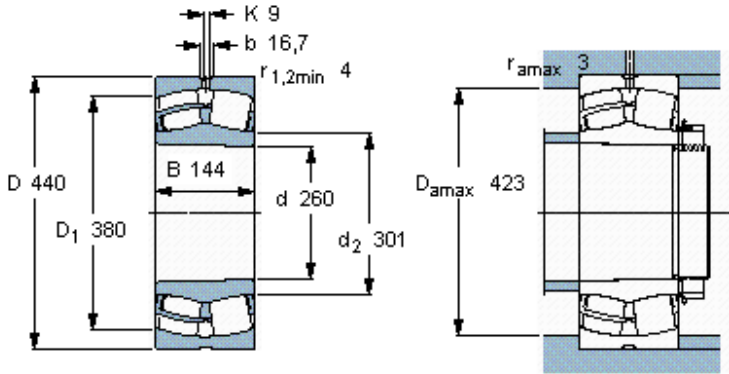


Spherical roller bearings, cylindrical and tapered bore

Principal dimensions			Basic load ratings		Speed ratings		Designation
d	D	B	dynamic C	static C0	Reference speed	Limiting speed	
mm			kN		r/min		
260	440	144	2664	3900	1100	1400	* SKF Explorer bearing 23152 CCK/W33 *



Tapered bore, taper
1: 12

- Calculation factors**
- e 0,31
 - Y_1 2,2
 - Y_2 3,3
 - Y_0 2,2